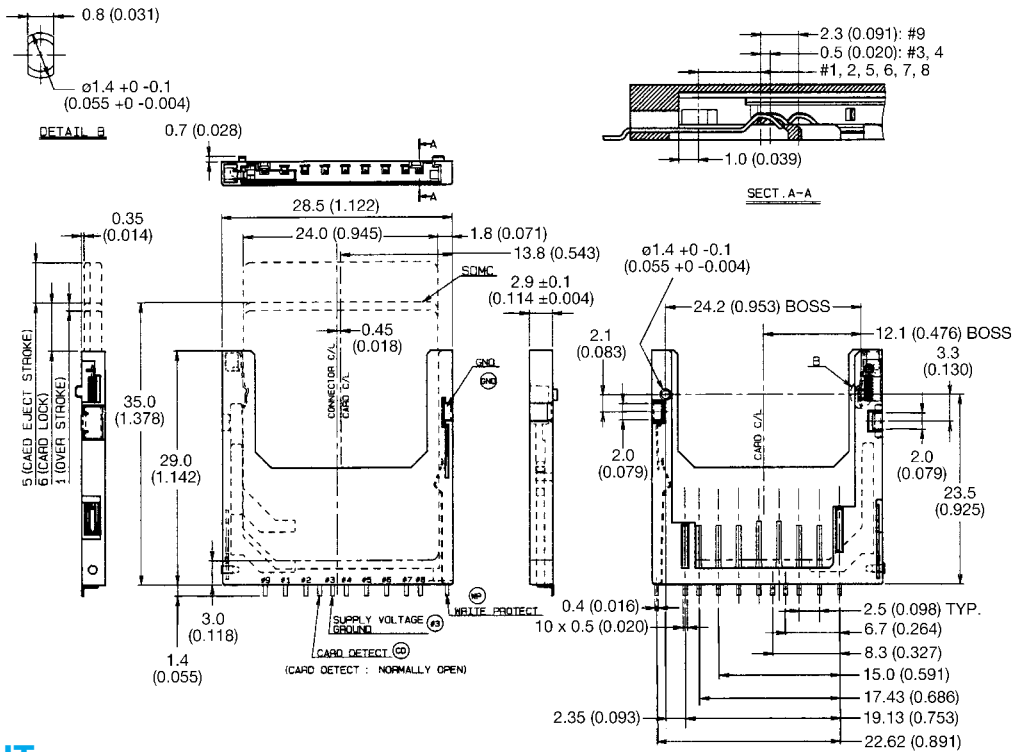


# Secure Digital Memory Card Connectors

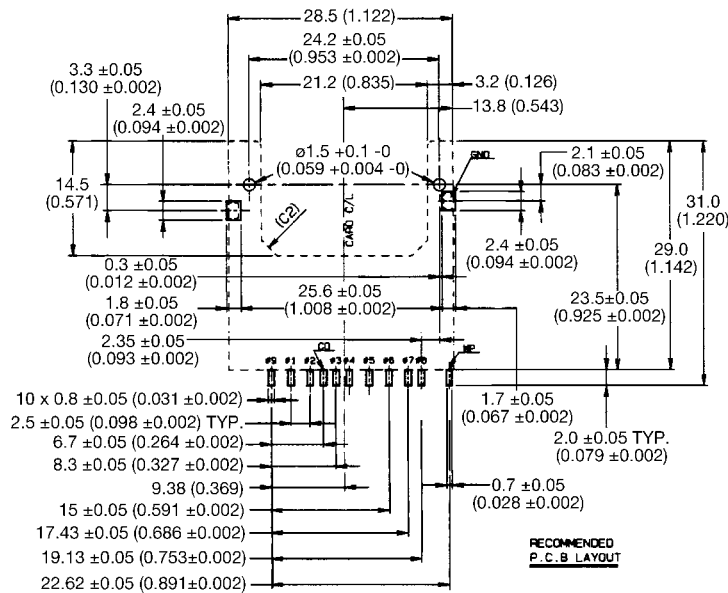


## Series 5638 Spring Eject Type

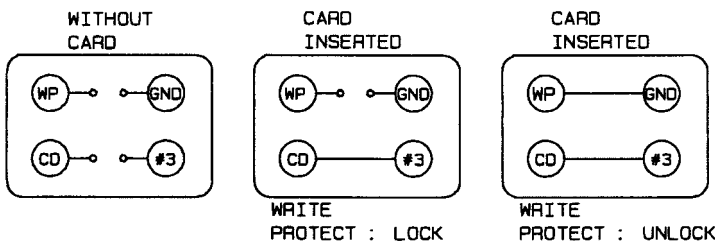
### NORMAL



### PCB LAYOUT



### CIRCUIT



### HOW TO ORDER

14 5638 009 511 862

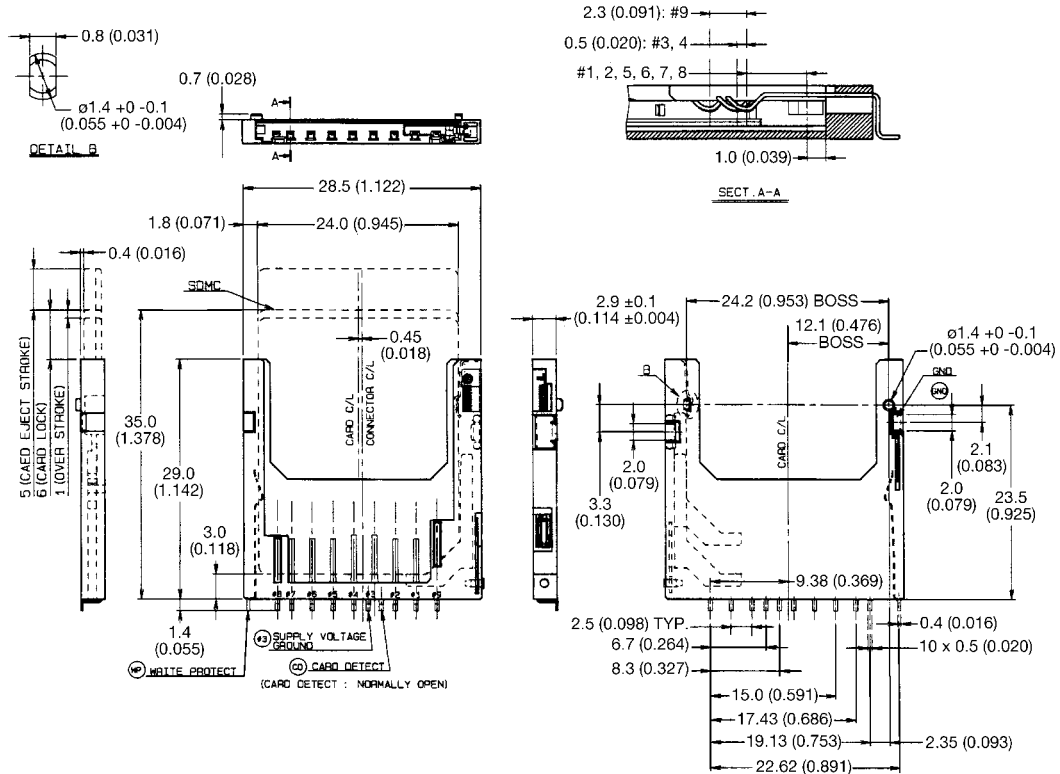
250 pieces per Tape and Reel

# Secure Digital Memory Card Connectors

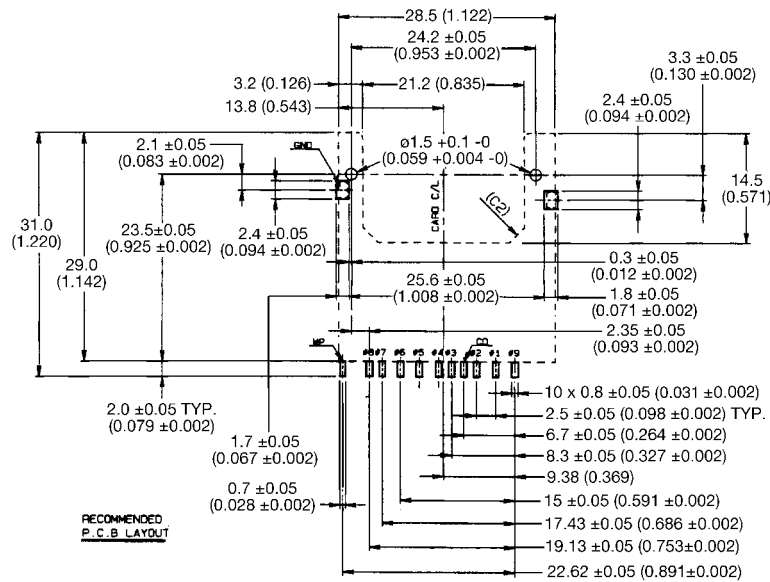


## Series 5638 Spring Eject Type

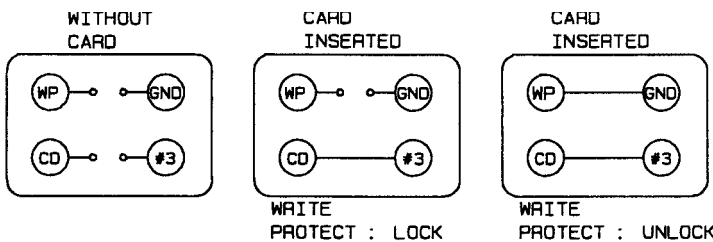
### REVERSE



### PCB LAYOUT



### CIRCUIT



### HOW TO ORDER

14 5638 109 511 862

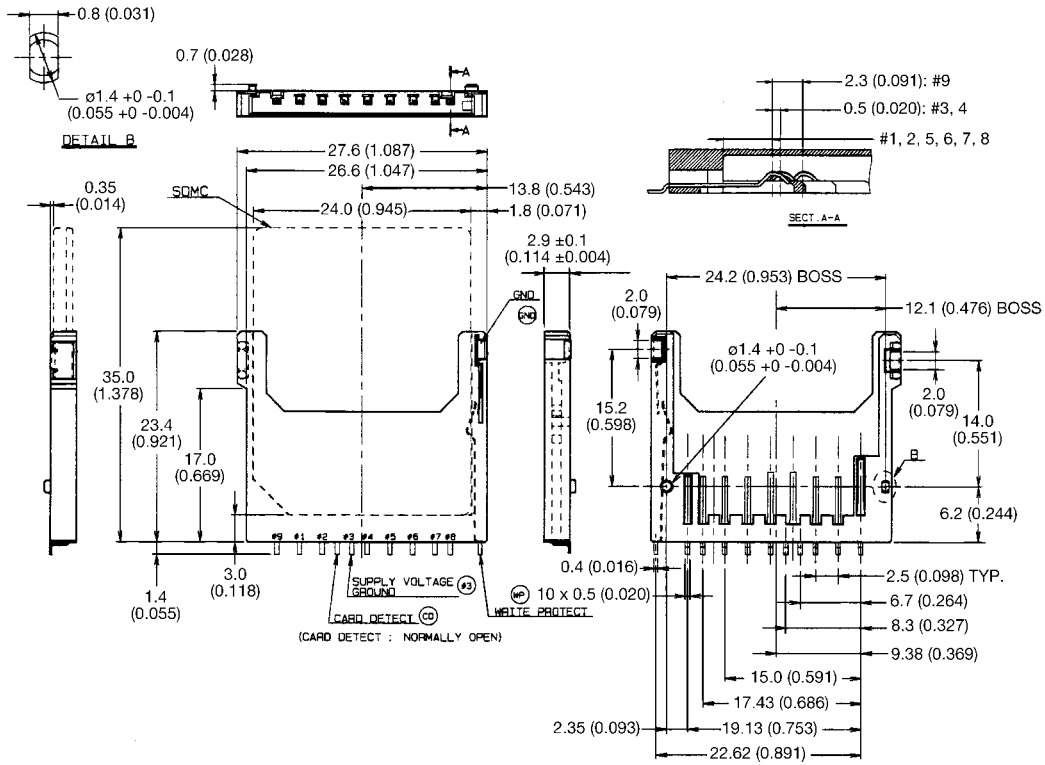
250 pieces per Tape and Reel

# Secure Digital Memory Card Connectors

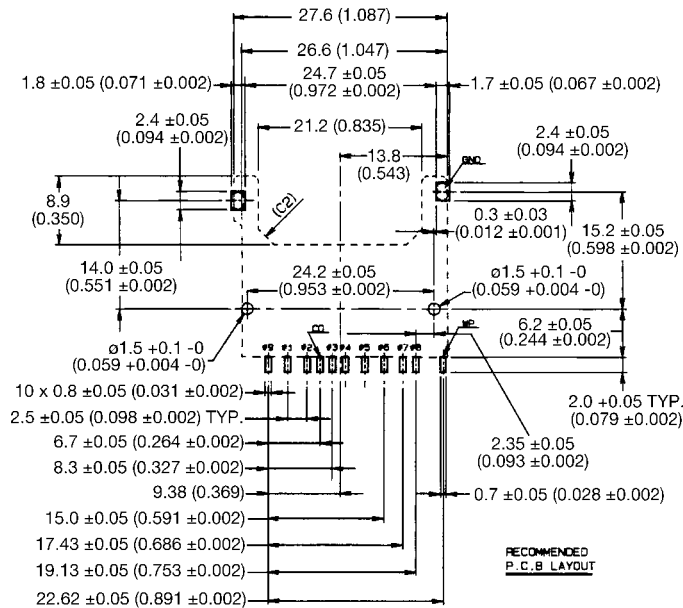


## Series 5638 Without Eject Type

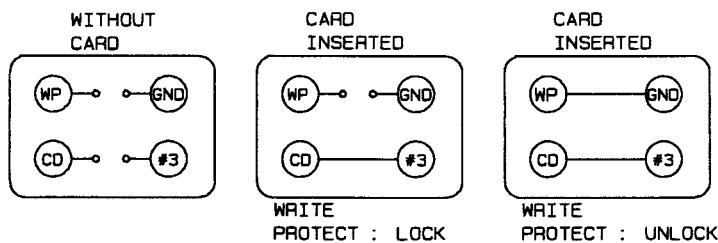
### NORMAL



### PCB LAYOUT



### CIRCUIT



### HOW TO ORDER

14 5638 009 211 862

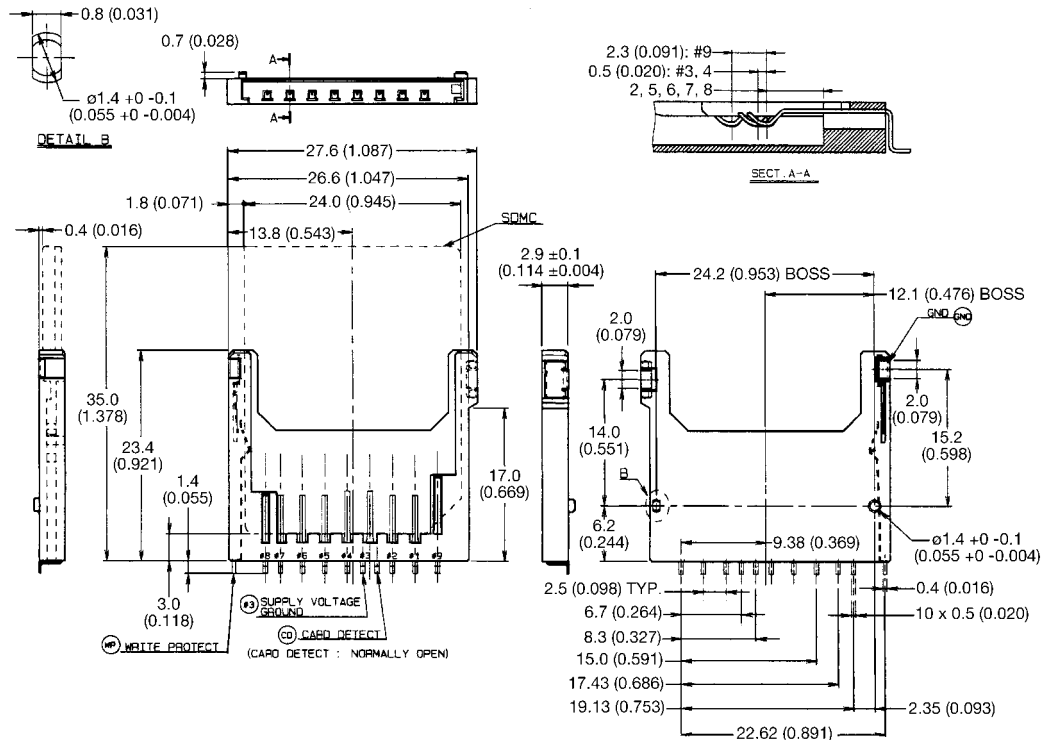
250 pieces per Tape and Reel

# Secure Digital Memory Card Connectors

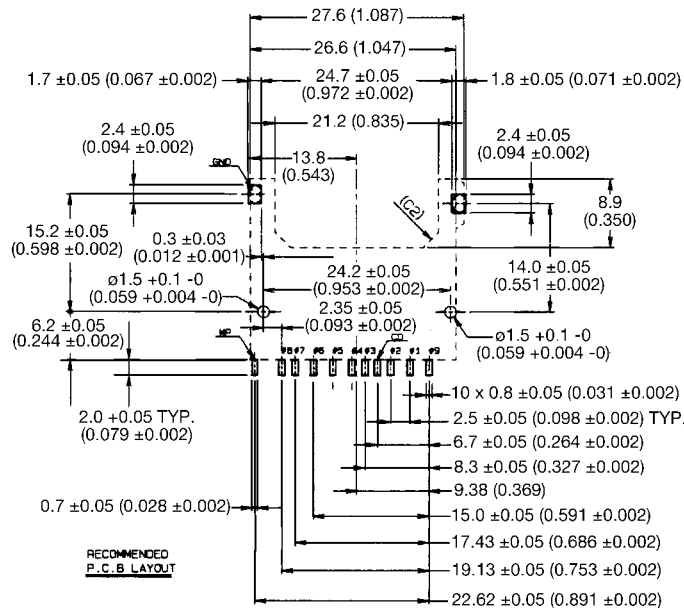


## Series 5638 Without Eject Type

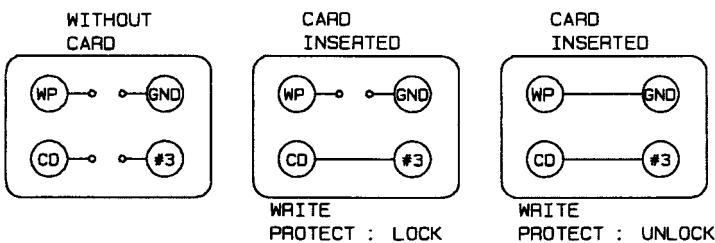
### REVERSE



### PCB LAYOUT



### CIRCUIT



### HOW TO ORDER

14 5638 109 211 862

250 pieces per Tape and Reel